



## High Temperature Air Operated Valve

高温气控阀  
2-way diaphragm valve 2-way 隔膜阀  
Size : 3/8" 尺寸: 3/8"

# FVHT 2130

### How to order 주문 방법

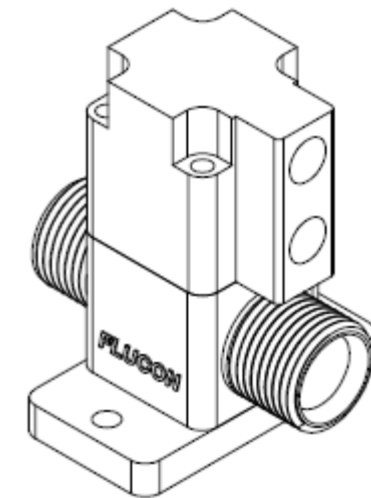
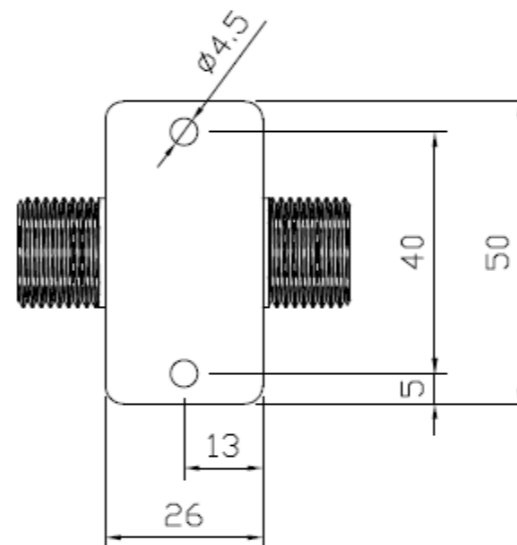
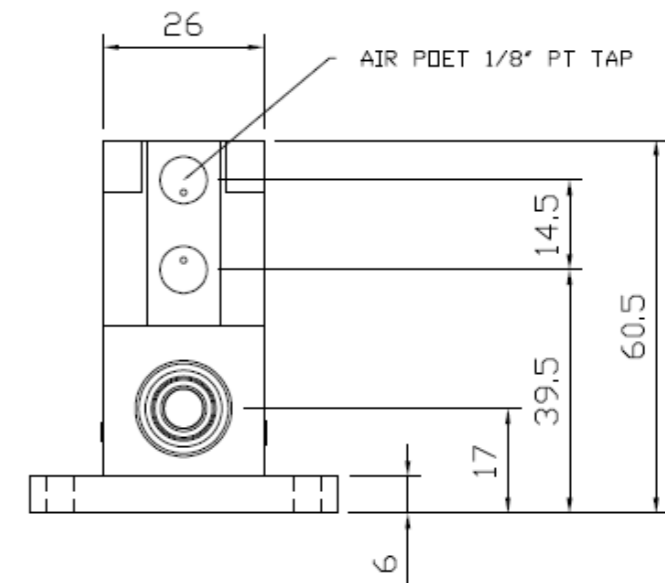
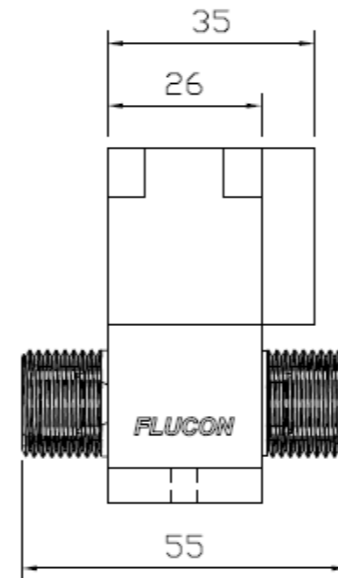
FVHT 2130 □ □ - □ □ □ - □ - □ - □  
① ② ③ ④ ⑤ ⑥ ⑦

① Upper Cover	② Actuator	③ Operating	④ Connection	⑤ Option
S : PPS	S : PPS	C : Normal Close O : Normal Open	3 : 3/8" Z : Z Fitting	1: No Option 2: Indicator 3: Flow Control

⑥ O - Ring	⑦ Air Port Direction	Plate Material	Base Plate Type	Diaphragm
V : FKM (VITON) F : ETP K : FFKM	1 2 3 4	S : PPS	B : B Plate Type	T : TFM

### Dimension 크기

설계 치수는 영업부에 문의 또는 승인도를 요청 바랍니다. 상기 치수는 변경될 수 있습니다.  
For exact size of each item, Please contact Sales Dept. Above-mentioned dimensions are changeable.  
图纸尺寸和设计会根据规格有所改变.



### Specifications 사양

Orifice size	Ø 6
Connection size	3/8"
Fluid Temperature	180°C Max
OP.Pressure(ordinary)	0 ~ 0.3 MPa
OP.Pressure(reverse)	0 ~ 0.3 MPa
Air Pressure	0.4 ~ 0.6 MPa
Cv	0.8
Weight	120g

1) : For hydrofluoric acid or chemicals containing hydrofluoric acid, use the temperature below 80 degrees Celsius.

Part name	Material
	Max 180 °C
Body	PFA
Diaphragm	TFM
Upper Cover	PPS
Actuator	PPS
Mounting Plate	PPS

### General 개요

This is compact diaphragm valve as from 3/8" and this durable valve is tested up to 10million cycling times. Since wetted parts are constructed anticorrosive PFA, suitable for DI water or chemical process line.

이 valve는 3/8" Tube size의 Diaphragm valve입니다. 우수한 내구성의 이 Valve는 1000만 Cycle test를 거쳤습니다. 접액부는 우수한 내화학성의 PFA로 만들어져 DI water 및 Chemical 공정에 적합한 제품입니다.

这是3/8" Tube size 的Diaphragm Valve, 这款Valve耐用极佳经过长达1000万次的循环测试。接液体部分由耐化学性好的PFA制成, 是适用于DI water及Chemical工艺的产品。

### Features 특징

- Wetted parts is made of PFA
- PTFE diaphragm tested to more than a 10million cycles
- Sleeve insert tube
- NC, NO, Double Acting by air
- Indicator for movement's confirmation, flow control function
- Particle free, none ion contamination
- PFA 재질로 구성
- 1000만 cycle test를 거친 PTFE diaphragm
- 큰 orifice 구조로 원활한 유체 유동과 적은 압력 손실
- Sleeve insert tube
- Air 구동의 NC, NO, Double Acting
- 동작 확인용 indicator, 유량 조절 기능 부착
- Particle free, none ion contamination
- 由PFA材质构成
- 经过1000万次cycle test 的PTFE diaphragm
- 用大orifice结构, 流体流动顺畅, 压力损失小
- Sleeve insert tube
- Air马动的NC, NO, Double Acting
- 安装确认动作的indicator、流量调节功能
- Particle free, none ion contamination

### Applications 사용 분야

- Semiconductor and LCD wet equipment
- Using to control the little flow of coater or developer equipment
- Using to control the little flow of wet spin process equipment
- Chemical supply unit of little capacity
- Microbe, biochemistry and medical fields
- 반도체 및 LCD wet 장비
- Coater, Developer 장비의 소유량 제어용
- Wet spin process 장비의 소유량 제어용
- 소용량 Chemical supply unit
- 미생물 생화학 의약 분야
- 반도체和LCD wet 设备
- 用于控制Coater, Developer 设备的小流量
- 用于控制Wet spin process 设备的小流量
- 小容量Chemical supply unit
- 微生物、生化学的医药领域