

Air Operated Valve

Compact size 2-way diaphragm valve
Size : 1/4"

FVAT 2020



Specifications 사양

Orifice size	Ø 6	
Connection size	1/4"	
OP.Temp	5 ~ 80 °C	5 ~ 120°C 1)
OP.Press(ordinary)	0 ~ 0.5MPa	0 ~ 0.3MPa
OP.Press(reverse)	0 ~ 0.5MPa	0 ~ 0.2MPa
Air Press	0.4 ~ 0.6MPa	0.4 ~ 0.6MPa
Cv	0.35	
Weight	110 g	

1) : For hydrofluoric acid or chemicals containing hydrofluoric acid, use the temperature below 80 degrees Celsius.

Applications 사용 분야

- Semiconductor and LCD wet equipment
- Using to control the little flow of coater or developer equipment
- Using to control the little flow of wet spin process equipment
- Chemical supply unit of little capacity
- Microbe, biochemistry and medical fields
- 반도체 및 LCD wet 장비
- Coater, Developer 장비의 소유량 제어용
- Wet spin process 장비의 소유량 제어용
- 소용량 Chemical supply unit
- 미생물 생화학 의학 분야

General 개요

This is compact diaphragm valve as from 1/4" and this durable valve is tested up to 10million cycling times. Since wetted parts are constructed anticorrosive PFA, suitable for DI water or chemical process line.

이 valve는 1/4" Tube size의 소형 Diaphragm valve입니다. 우수한 내구성의 이 Valve는 1000만 Cycle test를 거쳤습니다. 접액부는 우수한 내화학성의 PFA로 만들어져 DI water 및 Chemical 공정에 적합한 제품입니다.

Features 특징

- Wetted parts is made of PFA
- PTFE diaphragm tested to more than a 10million cycles
- 1/4" size connection
- Sleeve insert tube, Flare, PT female connection
- NC, NO, Double Acting by air
- Indicator for movement's confirmation, flow control function
- Particle free, none ion contamination
- Ultrasonic washing by DI water & vacuum packing
- PFA 재질로 구성
- 1000만 cycle test를 거친 PTFE diaphragm
- 큰 orifice 구조로 원활한 유체 유동과 적은 압력 손실
- 1/4" size connection
- Sleeve insert tube, Flare, PT female connection
- Air 구동의 NC, NO, Double Acting
- 동작 확인용 indicator, 유량 조절 기능 부착
- Particle free, none ion contamination
- Degreasing, DI water로 초음파 세정 및 진공포장

Part name	Material	
	80 °C	120 °C
Body	PFA	
Diaphragm	PTFE, TFM	TFM
Upper Cover	PP	PPS
Actuator	PP, PPS	PPS
Mounting Plate	SUS304, SUS304(Teflon coating), ST + PP, ST + PPS	

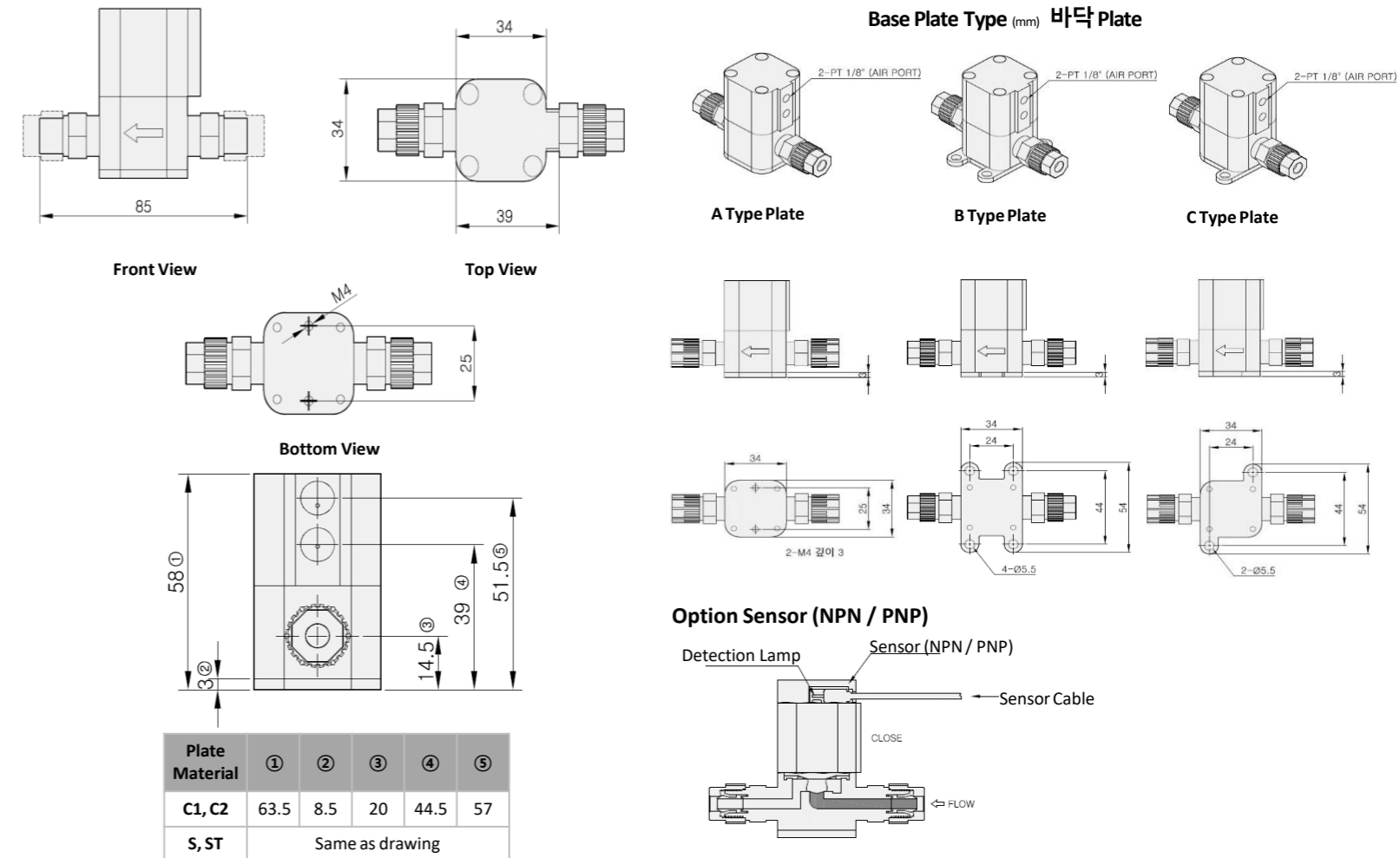
How to order 주문 방법

FVAT 2020 □ □ □ - □ □ □ - □ - □ - □ □ □
① ② ③ ④ ⑤ ⑥ ⑦ ⑧ ⑨ ⑩ ⑪

① Body	② Upper Cover	③ Actuator	④ Operating	⑤ Connection	⑥ Option
T : PFA	E : PP (80°C) S : PPS (120°C) V : PVDF(Ozone) P : PVC(Ozone)	E : PP (80°C) S : PPS (120°C) V : PVDF(Ozone) P : PVC(Ozone)	C : Normal Close O : Normal Open D : Double Acting	2 : 1/4" Z : Z Fitting	0 : No Option 1 : Indicator 2 : Flow Control 3 : By-pass (Body : PTFE) 4 : Flow control + By-pass (Body : PTFE) Transistor Cable direction 3 Sensor NPN Cable length : 2m Operating port side Opposite side to operating port 5 Sensor PNP Cable length : 2m Operating port side Opposite side to operating port 6
⑦ O - Ring	⑧ Air Port Direction	⑨ Plate Material	⑩ Base Plate Type	⑪ Diaphragm	
V : FKM (VITON) E : EPDM F : ETP K : FFKM N : NBR	1 2 3 4 	S : SUS304 ST : SUS304(Teflon Coating)	A : A Type Plate B : B Type Plate C : C Type Plate	P : PTFE T : TFM	

Dimension 크기

설계치수는 영업부에 문의 또는 승인도를 요청 바랍니다. 상기 치수는 변경될 수 있습니다.
For exact size of each item, Please contact Sales Dept. Above-mentioned dimensions are changeable.



(Adjustable height if required - 요청 시에 높이 수정 대응 - 高度可根据要求修改)